

Cassettes & Screens

High Quality Cassettes and Screens at Economical Prices

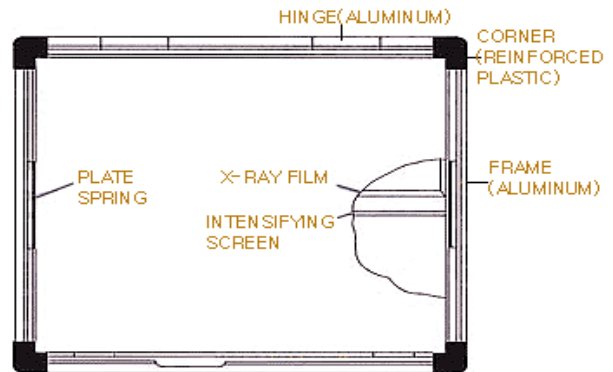


Our quality cassettes and screens are some of the finest in the world, at very economical prices. With aluminum frame construction, aluminum hinges, and corners protected by high impact graphite material, these cassettes are built to last, but are also priced to meet anyone's budget.

How To Specify a Part Number

CS - XXXX - X - XXX - XX

Size	Screen Color	Film Speed	Options
14" x 17" = 1417	B = Blue	100	W = ID Window
10" x 12" = 1012	G = Green	200	P = Premium Construction
8" x 10" = 0810		400	
11" x 14" = 1114		800	
7" x 17" = 0717			
24 x 30mm = 2430			
14" x 36" = 1436			



Sample part number would be CS - 1417 - G - 400 - W for a 400 speed green 14" x 17" with an ID window

FEATURES & BENEFITS

- A specially designed foam insert provides optimal film contact
- Light-weight aluminum frame
- Resilient aluminum hinges are very durable and long-lasting
- High-impact graphite corners withstand drops and absorb shocks effectively
- Softly-locking push buttons and lightweight aluminum construction provide ease-of-use
- Cassettes are available in various sizes. Consult FI Sales for any sizes not shown above that may be available as a special order.

OPTIONS

- Optional one piece ID window is maintenance free and available at an extra cost
- Optional carbon fiber front premium construction assures better image quality, reduces patient exposure and comes with a 3 year warranty



FI Sales, LLC®

761 N. 17th St., #17
 St. Charles, IL 60174 USA
 (630) 444-1380 Fax: (630) 444-1381

Visit FI Sales, LLC online at
www.fisalesllc.com
 or email us at
sales@fisalesllc.com