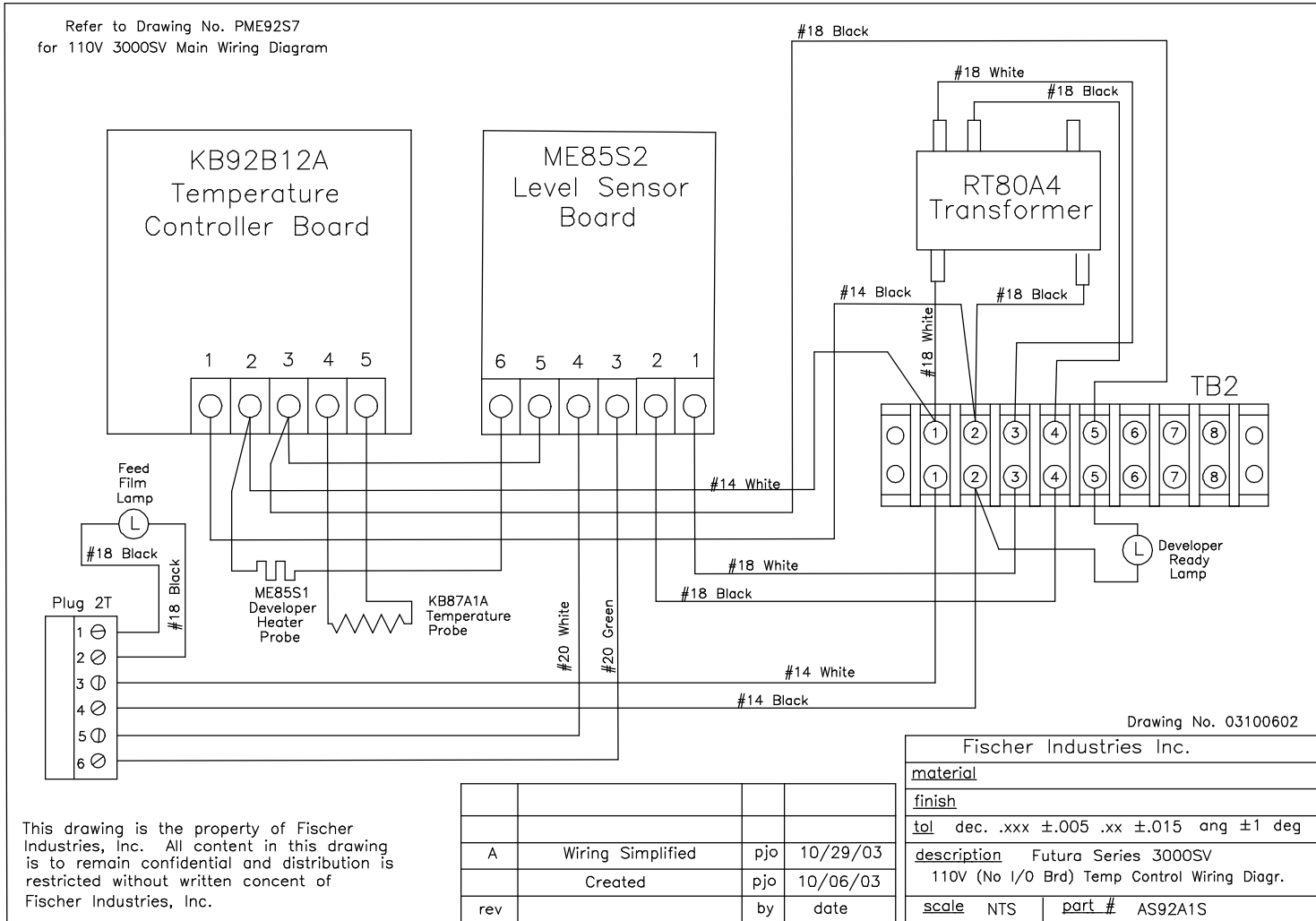


Refer to Drawing No. PME92S7
for 110V 3000SV Main Wiring Diagram



Drawing No. 03100602

Fischer Industries Inc.

<u>material</u>
<u>finish</u>
<u>tol</u> dec. .xxx ±.005 .xx ±.015 ang ±1 deg
<u>description</u> Futura Series 3000SV 110V (No I/O Brd) Temp Control Wiring Diagr.
<u>scale</u> NTS <u>part #</u> AS92A1S

This drawing is the property of Fischer Industries, Inc. All content in this drawing is to remain confidential and distribution is restricted without written consent of Fischer Industries, Inc.

A	Wiring Simplified	pjo	10/29/03
	Created	pjo	10/06/03
rev		by	date