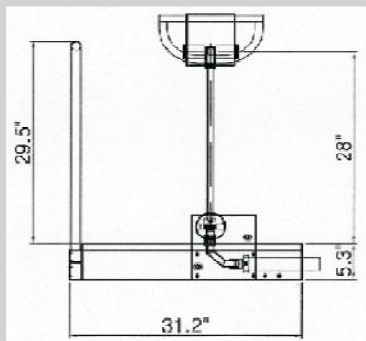


Advance Step Podiatry X-ray System

Power

Quality

Value



Features

X-ray Tube and Generator

- 90kV, 15mA High Frequency Generator
- Minimize Exposure Time
- Compare to Leading Competitor's High Power Series
- Clear Images for any Extremity Shot
- Push Button Controlled Digital Display
- Four Programmable Settings

Electrical Requirements

- Plugs into standard 110V power outlet
- No dedicated line required
- Electronic voltage compensation

Stand

- Fixed 28" vertical and horizontal SID
- 5 & 1/2" platform height
- 29 & 1/2" platform length
- 23 & 1/2" platform width
- 29.5" hand rail height
- 31 & 1/2" width (including arm assembly)
- Supports 400lbs of weight
- Assembles in minutes
- Highly durable finish



FI Sales, LLC®

761 N. 17th St., #17
St. Charles, IL 60174 USA
(630) 444-1380 Fax: (630) 444-1381

Visit FI Sales online at
www.fisalesllc.com
or email us at
sales@fisalesllc.com